



**Accurate Manufacturing Co.**  
 6641 San Fernando Rd. : Glendale Ca. 91201  
 (818) 240-4840 : (888) 925-4840 : Fax (818) 240-0966



## Ball Bearing Die Set Specifications

Customer	P.O.#
Address	Taxable: Yes No
	Terms
Tel:	Ship
Fax:	

QTY	Style & Configuration

### Dimensions

A = \_\_\_\_\_

B = \_\_\_\_\_

D = \_\_\_\_\_ Die Shoe Thickness

E = \_\_\_\_\_ Punch Holder Thickness

O = \_\_\_\_\_ Pin Diameter

P = \_\_\_\_\_ Pin Diameter

H = \_\_\_\_\_ Shut Height

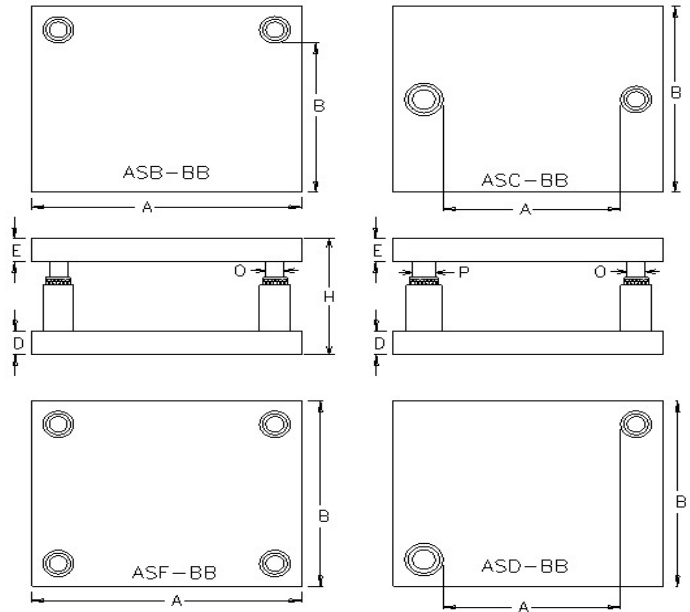
Pin Type: Straight or Demountable

Bushing Type : Straight or Demountable

Shank

Other

### Available in 'L' Style or 'D' Style



'O' Components # (optional)	'P' Components (optional)

Date:	Quote #:	Quoted by:
Price:	Terms:	Delivery: